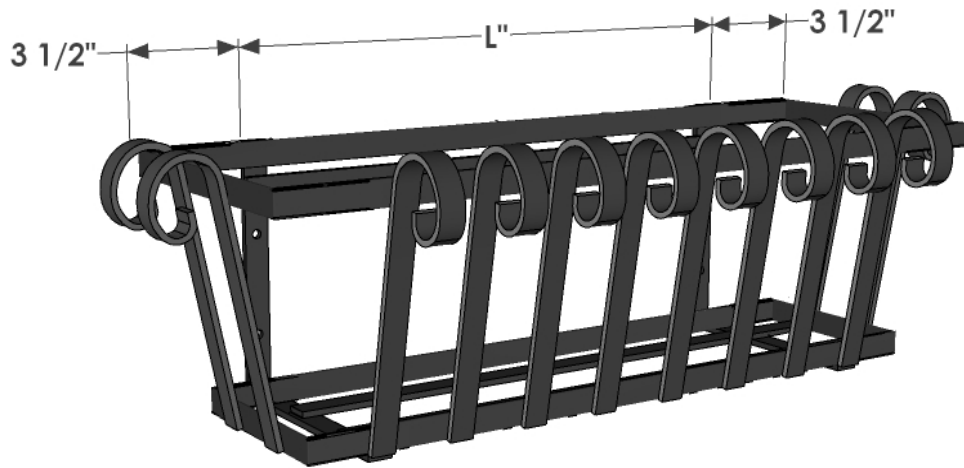
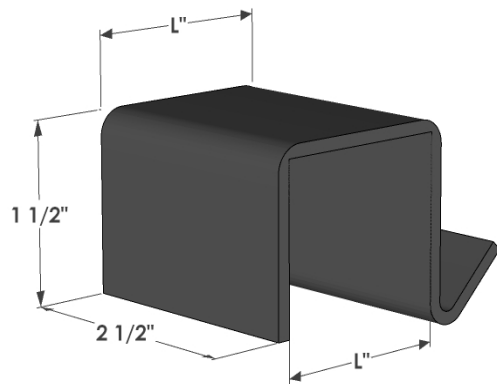


PERSPECTIVE VIEW

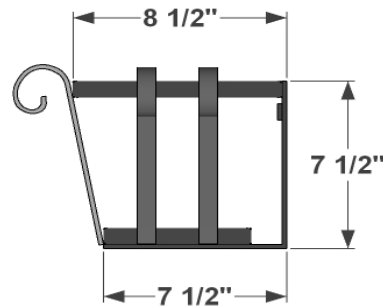


SIZE	L= Actual Dimensions for Liner Fitment
24"	25" Top 22" Bottom
30"	31" Top 28" Bottom
36"	37" Top 34" Bottom
42"	43" Top 40" Bottom
48"	49" Top 46" Bottom
60"	61" Top 58" Bottom
72"	73" Top 70" Bottom

RAILING BRACKET PERSPECTIVE VIEW



SIDE VIEW



Rail Brackets Size	
1"W	Fits 1" Wide Rail
1.25"W	Fits 1.25" Wide Rail
1.5"W	Fits 1.5" Wide Rail
1.75"W	Fits 1.75" Wide Rail
2"W	Fits 2" Wide Rail

GENERAL NOTES

1. Frame, Back and Bottom supports: 3/4"W x 3/16" Thk Flat Bar
2. Design: 1/2"W x 3/16" Thk Flat Bar
3. Mounting Holes 0.28" dia. (7mm)
4. Overall length +1" to accommodate standard liners +4" scrolls
5. Taper reduces bottom 3"L and 2.5" width
6. Simply place the bracket on top of the railing and the back of the flower planter box will securely sit in the V-shape of the bracket. No hardware is necessary.
7. 60"- 72" windowboxes will come 2 pairs of brackets



HOOKS & LATTICE

6056 Corte del Cedro, Carlsbad, CA 92011
 sales@hooksandlattice.com
 800-896-0978

PRODUCT DESCRIPTION		SKU				ORDER NUMBER	CUSTOMER SIGNATURE
Venetian Decora Window w/ Flat Railing Brackets		512B-X-X-413					
DIMENSIONS	COLOR	FINISH	REP:	DB:	DATE		

