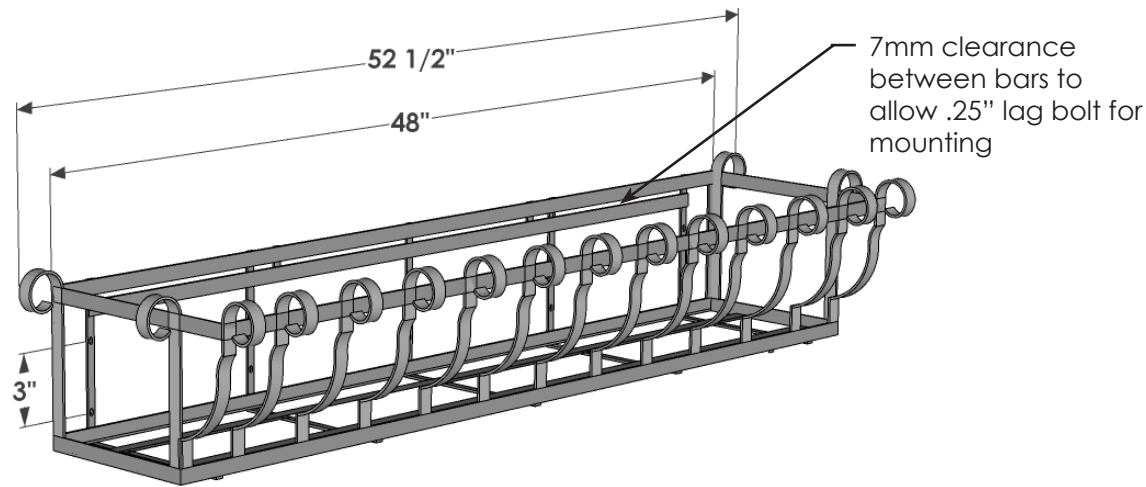
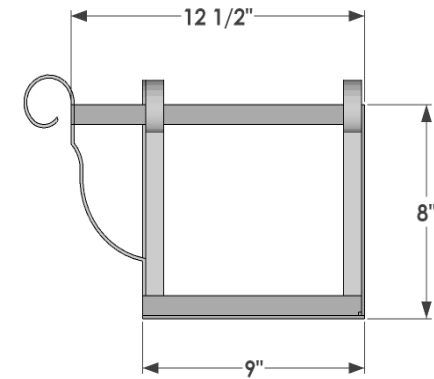


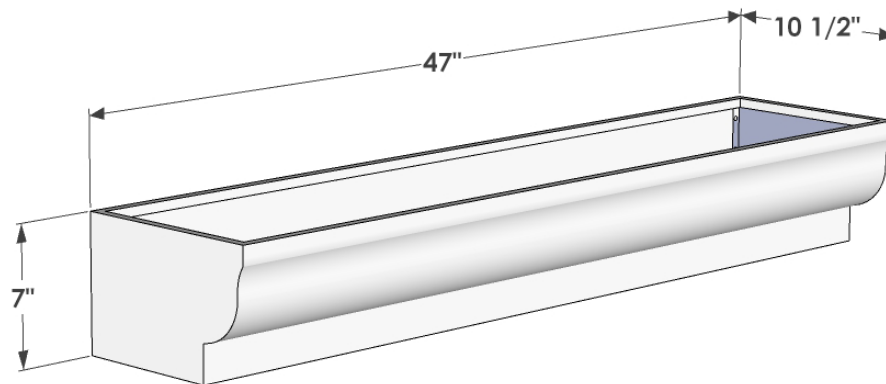
PERSPECTIVE VIEW



CAGE SIDE VIEW



LINER PERSPECTIVE VIEW



GENERAL NOTES

1. Scrolls add 4.5" to overall length.
2. (2) flat bar scrolls on each end.
3. Scrolls and Cage fabricated with 3/4" x .1875" flat bar.
4. Mounting Holes .28" dia (7mm).



HOOKS & LATTICE

6056 Corte Del Cedro, Carlsbad CA 92011
 1-888-320-0626/service@plantersunlimited.com
 www.plantersunlimited.com

PRODUCT DESCRIPTION		SKU			ORDER NUMBER	CUSTOMER SIGNATURE
Pacific Heights Window Box with Copper Liner		514B-CU-48				
DIMENSIONS	COLOR	FINISH	REP:	DB:	DATE	

